

NON-CONTACT TONOMETER

NT-4000

Eye & Health Care

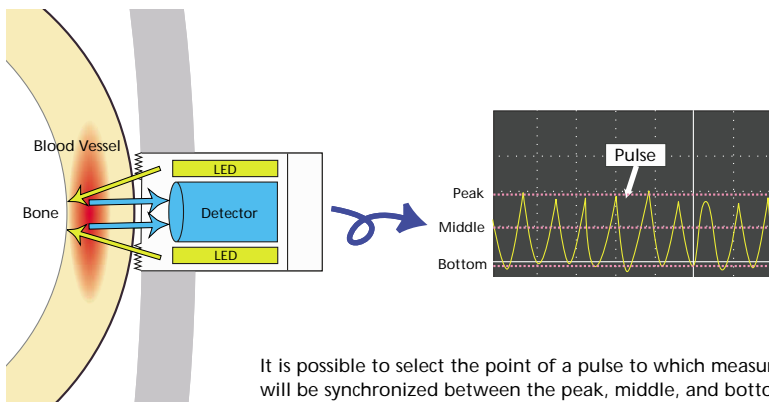




NT-4000 Advancement

Pulse Synchronized IOP Measurement

In addition to the conventional screening system in which the measurement values can fluctuate, the NT-4000 incorporates the "Pulse Synchronized" system for reducing the fluctuation and pursuing more precise measurements. Since this function can be easily deactivated the NT-4000 can also be used as a normal screening system.



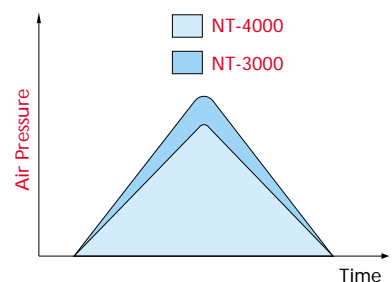
It is possible to select the point of a pulse to which measurement will be synchronized between the peak, middle, and bottom.

Advanced APC Function

Nidek Non-contact tonometers have incorporated their APC (Automatic Puff Control) function for years. Now we have made it more advanced as a new standard.

We have succeeded in reducing the amount of air pressure for measurements by more than 10% compared to the conventional model resulting from pursuing the optimum ease-of-use and patients' comfort.

APC Function



Expanded Auto-focusing Detection Range

Compared to the conventional model, NT-3000, the auto-focusing detection range has been expanded more than 50% in the focusing direction, which allows for quicker and more comfortable measurements.

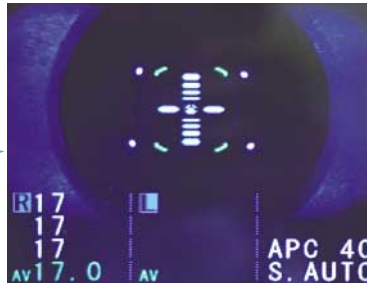


Auto-focusing

Eyelid Checking Function

Before taking the measurement, the NT-4000 checks the position of the eyelid to avoid an error.

The measurement starts when the eye is fully open to obtain accurate and stable data without the disturbance of eyelashes.



Measurement
(ideal focus)

Selectable Modes of Operation

The operator can choose from three possible operation modes: Full-auto mode, Semi-auto mode and Manual mode.

Full Auto: Both alignment and focusing are automatically performed.

Semi Auto: Alignment is automatically and focusing is manually performed.

Manual: Both alignment and focusing are manually performed.

NT-4000 User-friendly

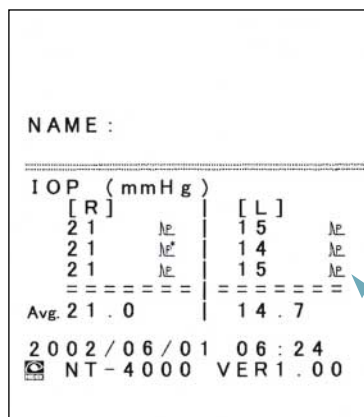
Control Switches



- ① PRINT switch for printing out.
- ② RANGE switch to select the measurement range.
- ③ CLEAR switch to delete all values and to select the pulse position in a certain setting (push for 2 seconds to delete all values in this setting).
- ④ A/M switch to select the alignment mode.
- ⑤ Joy Stick to provide easy alignment.

Print Sample

Measured data can be printed out clearly and quickly with the built-in thermal line printer.



*indicates that the measurement was not synchronized enough to the pulse.

Power Saving

Monitor power turns off automatically after 5 minutes of inactivity.



This symbol indicates that the measurement has been synchronized to the peak of the pulse.



This symbol indicates that the measurement has been synchronized to the middle of the pulse.



This symbol indicates that the measurement has been synchronized to the bottom of the pulse.

NT-4000 Specifications

Measurement			
Measurement Range	1~60mmHg (1mmHg Step)		
Working Distance	11mm (Air Nozzle to Corneal Top)		
Alignment			
Method	1 Alignment Spot + Focusing Indicator		
Inner Fixation Light	Green LED		
Operation Range by Joystick	Back and Forth	36mm	
	Right and Left	86mm	
	Up and Down	28mm	
Alignment Mode	(Alignment)	(Focus)	(Air Puffing)
(F.Auto)	Auto	Auto	Auto
(S.Auto)	Auto	Manual	Auto
(Manual)	Manual	Manual	Auto
Monitor	5 inch TFT Color Display		
Printer	Thermal Type		
Power Supply	100, 120, 230V 50 / 60Hz		
Power Consumption	70VA		
Dimensions / Weight	260 (W) x 487 (D) x 457(H)mm / 17kg 10.2(W) x 19.2(D) x 17.9(H) / 39.4lbs.		
Standard Accessories	Fuses, Printer Paper, Chin Rest Paper, Fixing Pins for Chin Rest Paper, Power Cable, Dust Cover, Pulse Detector Cap		



NIDEK CO., LTD.

HEAD OFFICE

34-14 Maehama, Hiroishi
Gamagori, Aichi 443-0038, Japan
Telephone : 81-533-67-6611
Facsimile : 81-533-67-6610
URL : <http://www.nidek.co.jp>

TOKYO OFFICE

(International Div.)
6F Takahashi Bldg.,
3-2 Kanda-Jinboucho
Chiyoda, Tokyo 101-0051, Japan
Telephone : 81-3-3288-0571
Facsimile : 81-3-3288-0570

NIDEK INC.

47651 Westinghouse Drive
Fremont, CA 94539, U.S.A.
Telephone : 1-510-226-5700
: 1-800-223-9044 (US only)
Facsimile : 1-510-226-5750
URL : <http://www.nidek.com>

NIDEK TECHNOLOGIES INC.

675 S. Arroyo Parkway Suite 330
Pasadena, CA 91105, U.S.A.
Telephone : 1-626-578-1351
Facsimile : 1-626-578-1327

NIDEK TECHNOLOGIES AMERICA INC.

5500 West Friendly Ave.
Suite 101
Greensboro, NC 27410, U.S.A.
Telephone : 1-336-851-0225
: 1-888-382-5064 (US only)
Facsimile : 1-336-851-0917
URL : <http://www.nidektech.com>

NIDEK SOCIÉTÉ ANONYME

Europarc
13, rue Auguste Perret
94042 Créteil, France
Telephone : 33-1-49 80 97 97
Facsimile : 33-1-49 80 32 08

NIDEK TECHNOLOGIES SRL.

Via Regia, 88
35010 Vigonza (Padova), Italy
Telephone : 39.049.8935287 / 8935191
Facsimile : 39.049.625584
URL : <http://www.nidektechnologies.it>

NIDEK TECHNOLOGIES GERMANY

Wetterkreuz, 3
91058 Erlangen, GERMANY
Telephone : 49.9131.93.40.990
Facsimile : 49.9131.93.40.999
URL : <http://www.nidektechnologies.de>

*Specifications and design are subject to change without notice for improvement.



Printed on environment-friendly recycled paper.